

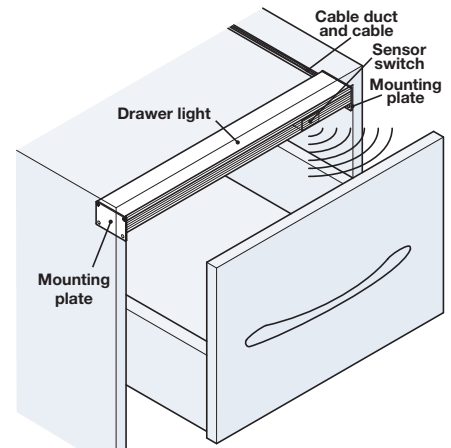
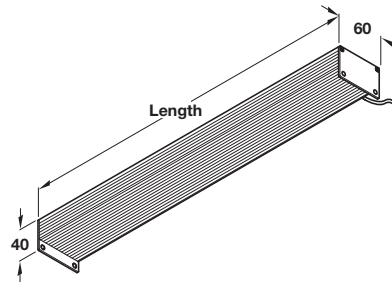


### A Drawer sensor light, 240V

- Built in sensor for contact free switching - when drawer is opened/closed light automatically switches on/off
- 2 m bare ended mains lead
- Fluorescent tube included
- Satin aluminium with frosted plastic lens

Length	Wattage	Cat. No.
461 mm	6W	826.82.901
561 mm	12W	826.82.902
761 mm	20W	826.82.903
861 mm	24W	826.82.904
961 mm	24W	826.82.905

Order qty: 1 pc



### B Mini fluorescent tube, warm white

- For use with drawer sensor lights A

Length	Wattage	Cat. No.
220 mm	6W	826.53.795
354 mm	12W	826.53.792
567 mm	20W	826.53.798
646 mm	24W	826.53.799

Order qty: 1 pc

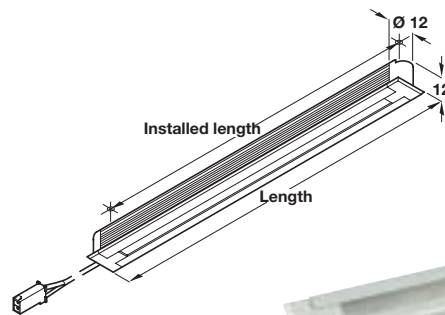


### C LED strip light, 12V

- Recess mounted, push fix into hole
- 2 m lead with easy to fit plug connectors
- Satin anodised aluminium with frosted plastic lens
- **Order transformer separately, item D**

Bulb qty	Installed length	Length	Cat. No.
4	85 mm	87 mm	830.11.901
12	197 mm	199 mm	830.11.902

Order qty: 1 pc



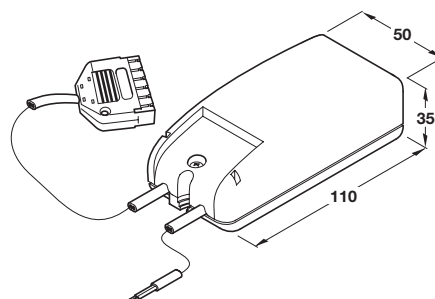
### D Transformer, 12V/ 230W

- For use with LED strip light C shown above
- 18 x 830.11.901 or 6 x 830.11.902 LED strip lights can be used with this transformer
- With 6 way distributor
- 3 m bare ended mains lead
- White plastic

**Item D.**  
Text added

Cat. No.	830.11.990
----------	------------

Order qty: 1 pc



We reserve the right to alter specifications without notice.

Dimensions in mm